



Bär Cargolift Standard S4A – for a short overhang

Bär Cargolift –
more than just a tailift

The Bär Cargolift Standard BC 2000S4A is ideally tailor-made for drawbar trailers and steering wheel semi-trailers with an extremely short structural overhang.

BC 2000S4A

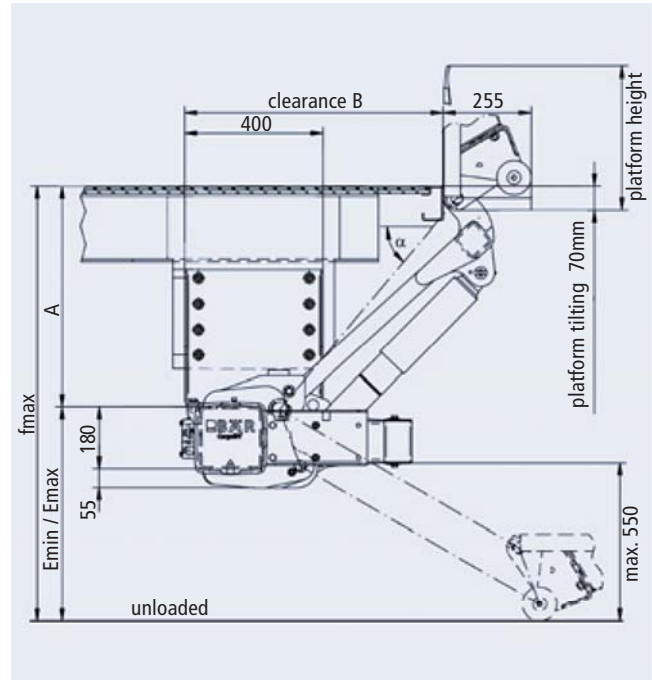
This Cargolift provides all features of the normal S4 version.

Which Bär Cargolift for which vehicle?

Arm length 800 mm		Fitment angle α
A	Clearance B min.	α
640	750	50
680	700	55
720	640	60
750	580	65

Arm length 900 mm		Fitment angle α
A	Clearance B min.	α
735	800	52
760	760	55
800	690	60
840	620	65

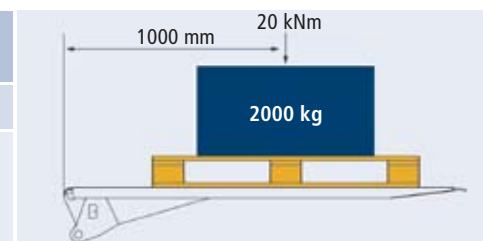
Arm length 1000 mm		Fitment angle α
A	Clearance B min.	α
790	880	50
845	810	55
890	740	60
930	660	65



Arm length	fmax	Emax
800 mm	1335 mm	585 mm
900 mm	1470 mm	630 mm
1000 mm	1605 mm	675 mm

Load Capacity (LC)

BC	LC (kg)	Load centre (mm)	Load moment (kNm)
2000S4A	2000	1000	20



Cargolift net weights

BC	Platform height (mm)		Platform height (mm)	
	min. *	kg	max.	kg
2000S4A	2110	535	2610	584

* Recommendation because of the loading angle.
The weight includes installation materials, wiring and under run bar.

Equipment

Generally as the BC 2000S4, but additional operating unit with a key switch.



Patent no. EP 0 878 349

Article no. 70.118667
Technical modifications subject to modification. 07/09