

## Bär Cargolift Standard S4U - for a truck with short coupling

Bär Cargolift –  
more than just a tailift

The Bär Cargolift Standard BC 2000S4U is the most successful standard tailift for trucks with a lowered coupling or a combined short and normal coupling.

All the components have been arranged so that 180°/6° shaft freedom is guaranteed in the case of the appropriate vehicle design.

The BC 2000S4U offers the highest degree of operating comfort and speed with the hydraulic under run bar (Special Accessories).

BC 2000S4U

# Bär Cargolift Standard S4U

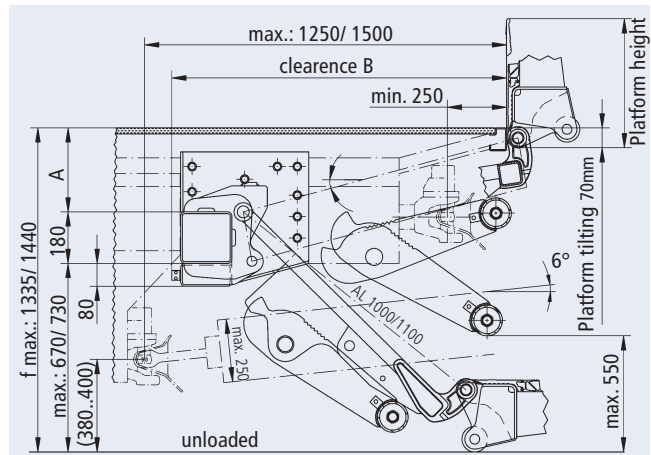
## Facts and figures



### Which Bär Cargolift for which vehicle?

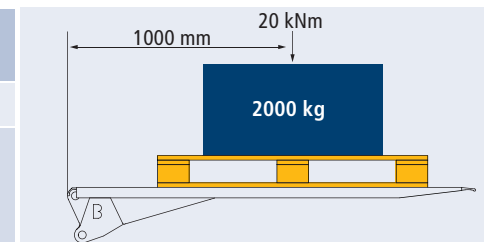
Arm length 1000 (mm) *		Fitment angle $\alpha$
A (from to)	Clearance B min	°
290 ... 605	1185 ... 1040	15 ... 35
Arm length 1100 (mm)		
185 ... 315	1315 ... 1285	8 ... 15
315 ... 495	1285 ... 1220	15 ... 25
495 ... 660	1205 ... 1130	25 ... 35

\* Only in combination with hydraulic under run bar



### Load Capacity (LC)

BC	LC (kg)	Load centre (mm)	Load moment (kNm)
2000S4U	2000	1000	20



### Cargolift net weights

BC	Plattform height (mm)		Plattform height (mm)	
	min. *	kg	max.	kg
2000S4U	2110	524	2810	612

\* Recommendation because of the loading angle.  
The weight includes installation materials, wiring and under run bar.

### Standard equipment

Generally as the BC 2000S4  
Mechanical under run bar:

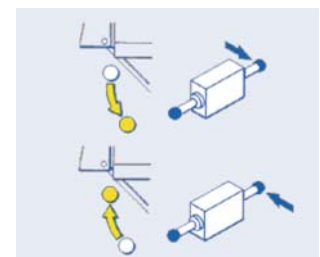


For lorry solo travel and when using the standard coupling, the under run bar is folded down and will roll over the ground via castors when the platform is lowered.

With the platform lowered, the under run bar contacts the support beams and is locked and spring-held to them. For folding down, you only need to hold it down with your foot when lifting the platform.

### Optional features

Generally as the BC 2000S4  
Hydraulic under run bar:



The function „Lowering“ is used for at first to automatically fold up the under run bar. The platform then automatically passes to the lowering operation.

By means of the Bär control box, the under run bar can be hydraulically moved to both positions without moving the platform.

Patent no. EP 0 878 349

